



PRODUCT CATALOGUE

**.cable.
away**

Manage Cables Better



Manage Cables Better

CONTENTS

PRODUCT RANGE

PAGE

Floor Outlet Boxes	3
In Desk Outlet Boxes	12
FDHD Series In Floor Duct	17
SDPVC Series Skirting Duct	19
SD Series Aluminium Skirting Duct	22
SP Series Service Column	25
Mainline Power Rail	28
Firetherm Passive Fire Resistance	33

FLOOR OUTLET BOXES



Manage Cables Better

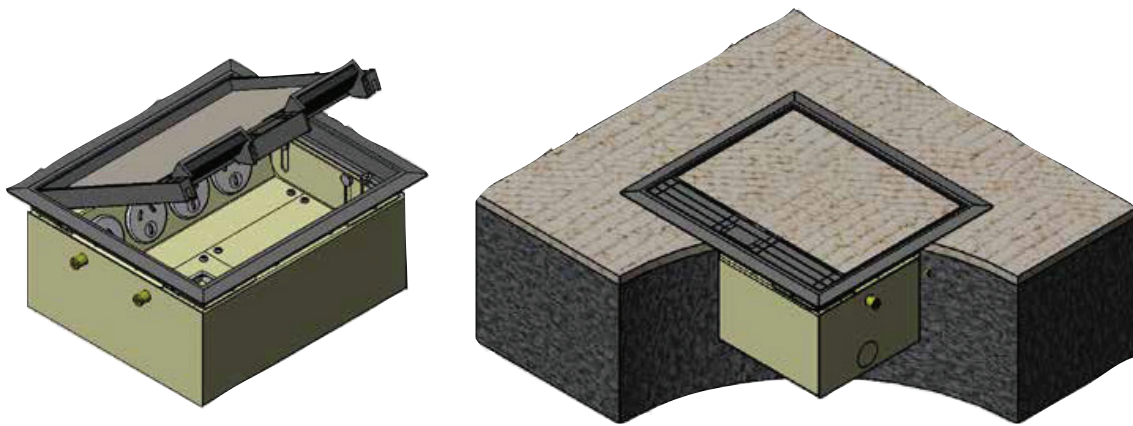




FB SERIES FLOOR OUTLET BOXES

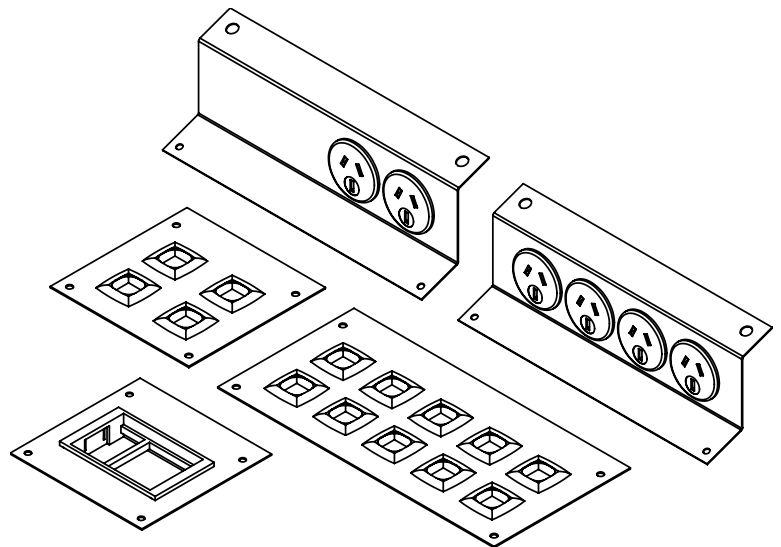
Manage Cables Better

Cableaway's floor outlet boxes are an ideal way to supply power, data and A/V to open floors of a commercial office building or even within your home. The FB series floor outlet boxes come complete with a height adjustable lid, auto switched outlets, provision for data mechs (mechs by others) and a blank plate for A/V installation.

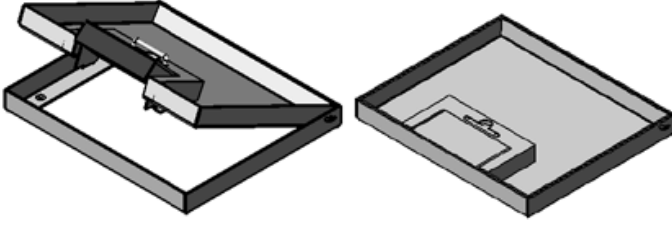
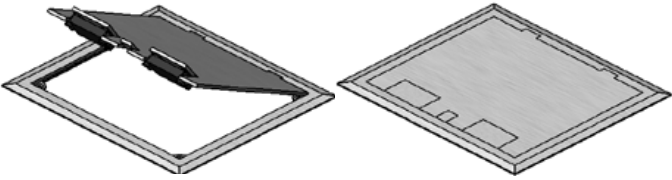
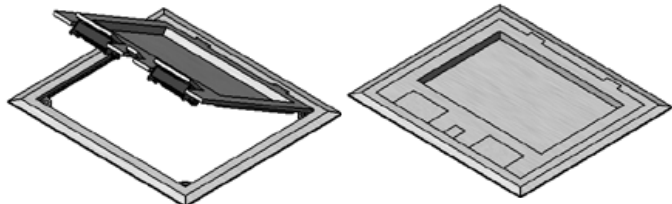



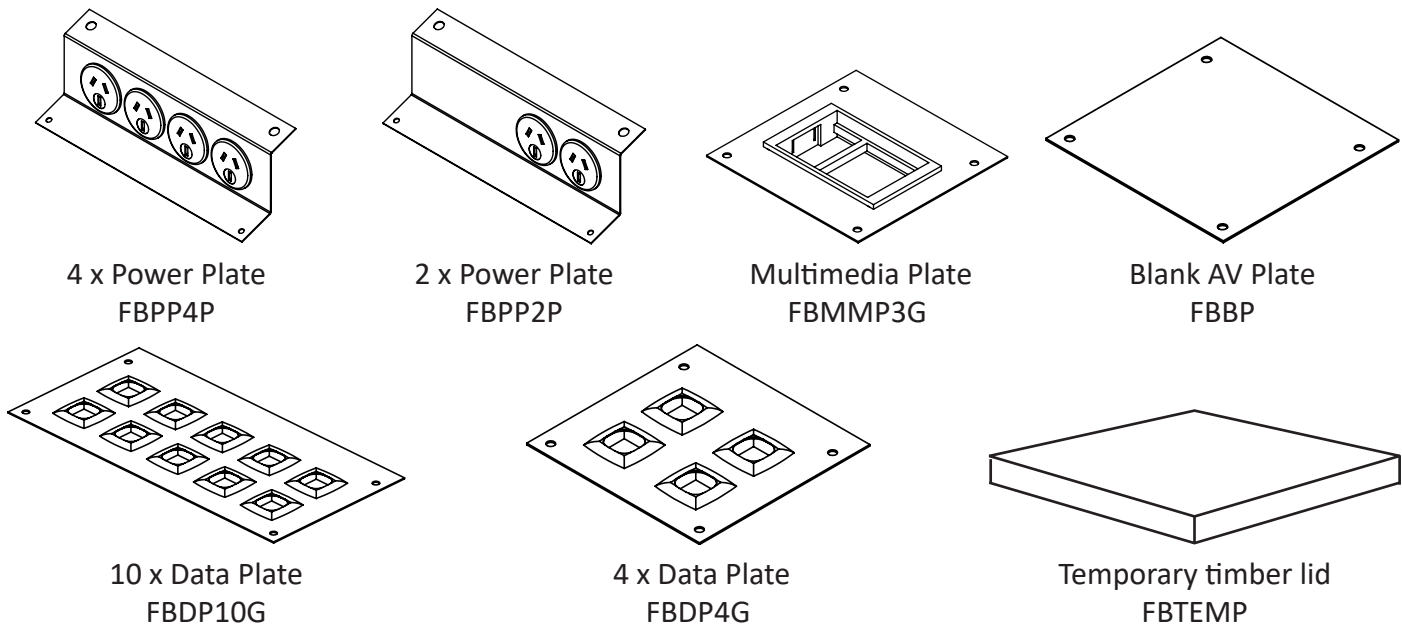
Features

- Height adjustable lid
- Flush or recess lid options
- Easy to remove lid section
- Dual cable exit flaps
- Lifting loop (for easy opening)
- Up to 4 auto switched outlets
- Modular configuration
- Bevelled and flush lid finishes
- Provision for up to 10 data



Manage Cables Better

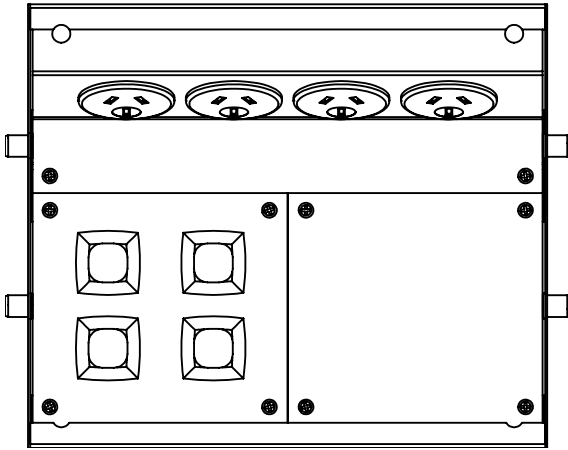
<p>FB Series Stainless Steel 19mm Recessed Lid Assembly</p>  <p>PART NUMBER : FBSSR19LA</p>	<p>FB Series Stainless Steel Flush Lid Assembly</p>  <p>PART NUMBER : FBSSFLA</p>
<p>FB Series Stainless Steel 9mm Recessed Lid Assembly</p>  <p>PART NUMBER : FBSSRLA</p>	<p>FB Series Plastic 9mm Recessed Lid Assembly</p>  <p>PART NUMBER : FBPLA</p>



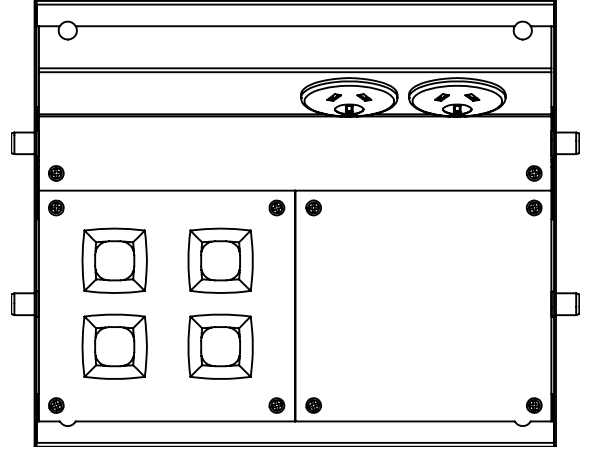
Specifications

- Floor box manufactured from powder coated zinc annealed steel
- 20mm and 25mm knockouts provided for easy conduit entry
- Auto switched power outlets supplied
- Provisions for data
- Range of accessory plates available
- Floor box carcass dimensions: W 194 x L 227 x D 90mm (D 111mm including the PL, SSF, SSR lid section) (19mm lid section including carcass D 115mm)
- Floor box lid dimension W 220 x L 250mm

Manage Cables Better



Standard 4 power configuration



Standard 2 power configuration

Suggested Specification

Contractor shall supply Cableaway FB Series floor outlet box. The box will be complete with (eg: 4 x) power and (eg: 4 x) data with a (eg: stainless steel flush) lid section. Part Number (eg: FBSSF4P4D).

Description

- 2 x power and provision for 4 x data 9mm recessed plastic lid
- 4 x power and provision for 4 x data 9mm recessed plastic lid
- 2 x power and provision for 4 x data stainless steel flush lid
- 4 x power and provision for 4 x data stainless steel flush lid
- 2 x power and provision for 4 x data stainless steel 9mm recessed lid
- 4 x power and provision for 4 x data stainless steel 9mm recessed lid
- 2 x power and provision for 4 x data stainless steel 19mm recessed lid
- 4 x power and provision for 4 x data stainless steel 19mm recessed lid

Part Number

- FBPL2P4D
- FBPL4P4D
- FBSSF2P4D
- FBSSF4P4D
- FBSSR2P4D
- FBSSR4P4D
- FBSS19R2P4D
- FBSS19R4P4D



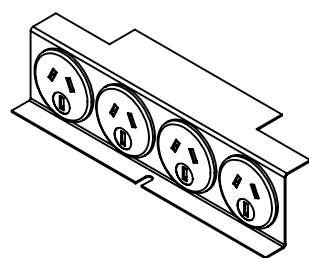
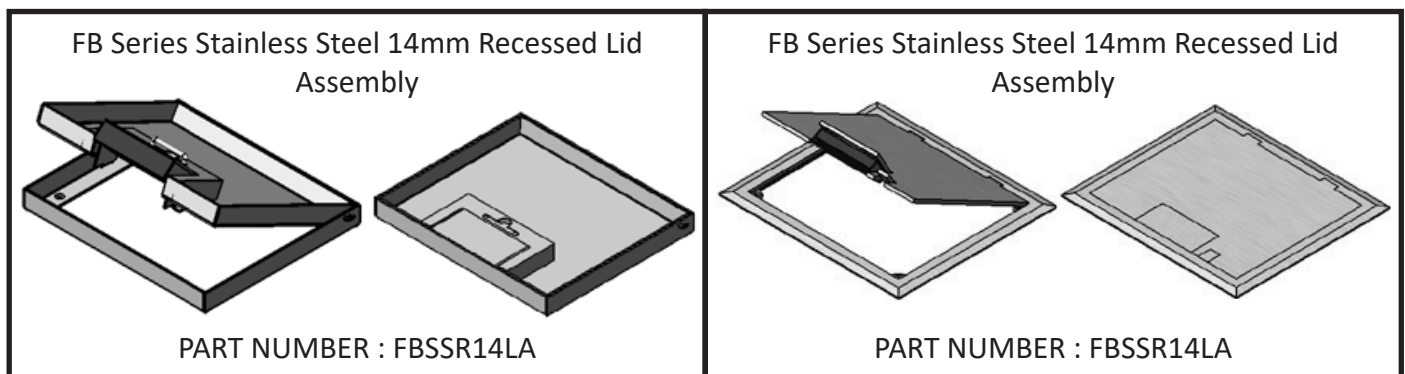
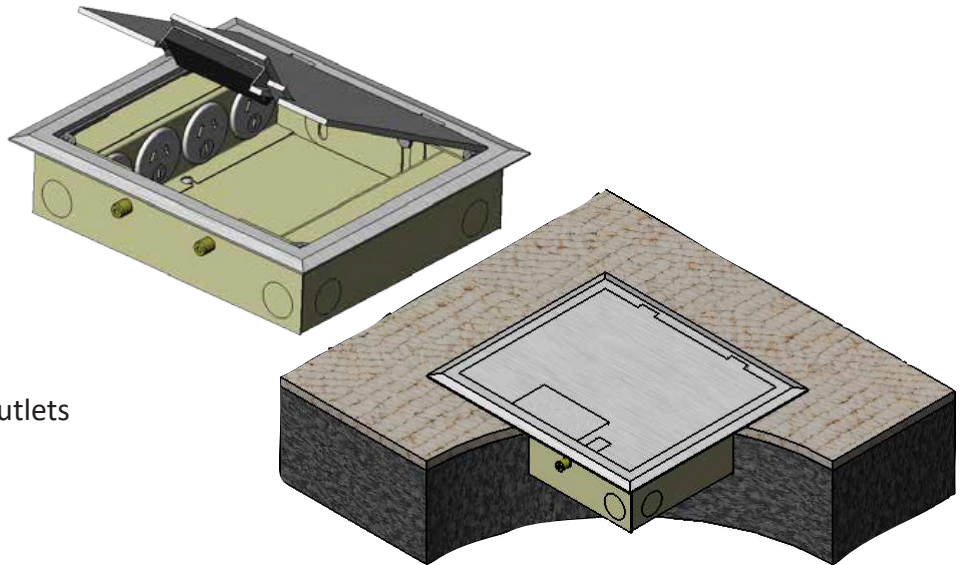
FBS50 SHALLOW SERIES FLOOR OUTLET BOX

Manage Cables Better

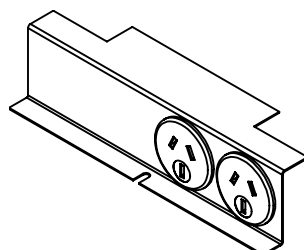
Cableaway's shallow floor outlet boxes are an ideal way to supply power, data and A/V to open floors of a commercial office building or even within your home. The FBS50 Series floor outlet boxes come complete with a height adjustable lid, auto switched outlets, provision for data mechs (mechs by others).

Features

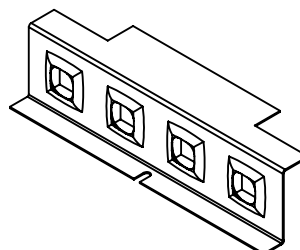
- Height adjustable lid
- Flush or recess lid options
- Easy to remove lid section
- Single cable exit flap
- Lifting tab (for easy opening)
- Up to 4 auto switched power outlets
- Modular configuration
- Bevelled and flush lid finishes
- Provision for up to 6 data



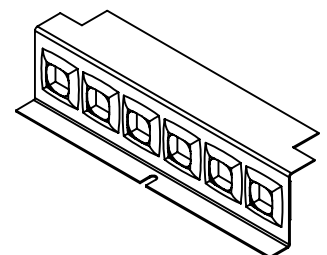
FBPP4PS50
4 x Power Plate



FBPP2PS50
2 x Power Plate

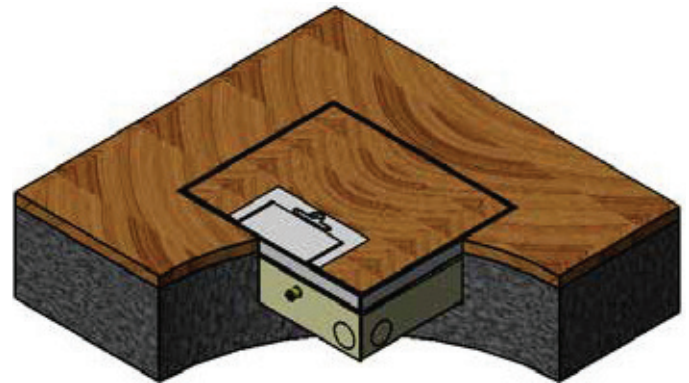
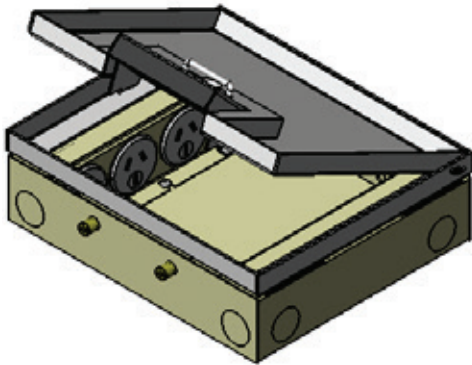


FBDP4DS50
4 x Data Plate



FBDP6DS50
6 x Data Plate

FBS50 SHALLOW SERIES FLOOR OUTLET BOXES



- Floor box manufactured from powder coated zinc annealed steel
- 20mm knockouts provided for easy conduit entry
- Frame and lid manufactured from stainless steel
- Auto switched power outlets supplied
- Provisions for data
- Floor box carcass dimensions: W 194 x L 227 x D 54mm
- Floor box lid dimension W 220 x L 250mm (on bevelled edge lid)
- Floor box lid dimension W 195 x L 230mm (on 14mm recessed lid)
- Frame Lid Recess: 14mm

Suggested Specification

Contractor shall supply Cableaway FBS50 shallow series floor outlet box. The box will be complete with (eg: 4 x) power and (eg: 4 x) data with a (eg: stainless steel flush) lid section. Part Number (eg: FBSSF4P4DS50).

Description

<u>Description</u>	<u>Part Number</u>
2 x power and provision for 4 x data stainless steel flush lid	FBSSF2P4DS50
4 x power and provision for 4 x data stainless steel flush lid	FBSSF4P4DS50
2 x power and provision for 4 x data stainless steel 14mm recessed Lid	FBSS14R2P4DS50
4 x power and provision for 4 x data stainless steel 14mm recessed Lid	FBSS14R4P4DS50

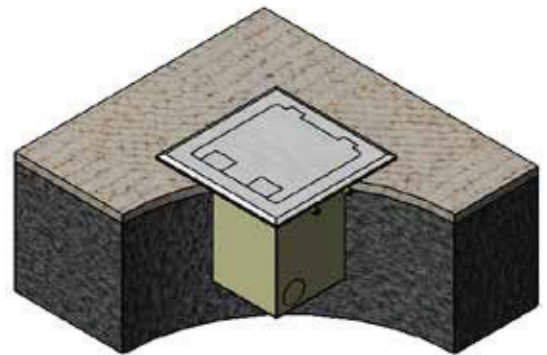


FB145 SERIES FLOOR OUTLET BOXES

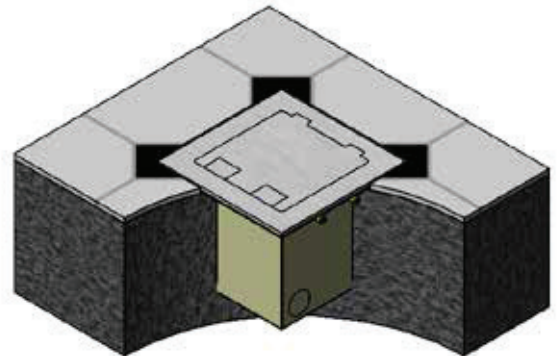
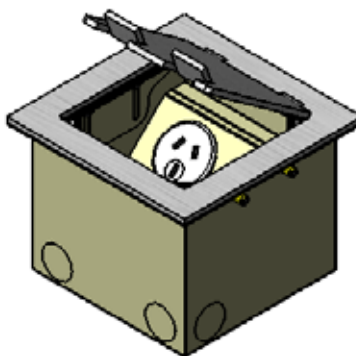
Manage Cables Better

Cableaway's floor outlet boxes are an ideal way to supply power, data and A/V to open floors of a commercial office building or even within your home. The FB 145 Series floor outlet boxes come complete with a height adjustable lid, auto switched outlets or standard GPO and provision for data mechs (mechs by others).

- Height adjustable lid
- Flush lid finish
- Easy to remove lid section
- Dual cable exit flaps
- Combination lifting tab / cable exit flat
- Up to 2 auto switched outlets
- Bevelled and flush lid finishes
- Provision for up to 3 data



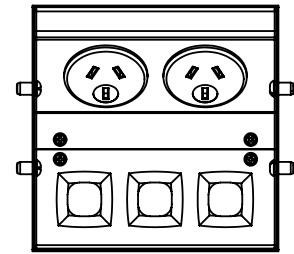
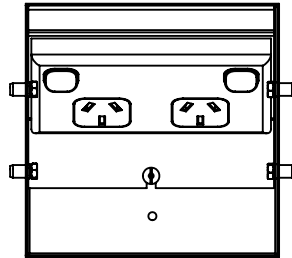
Bevelled Edge



Square Edge

Specifications

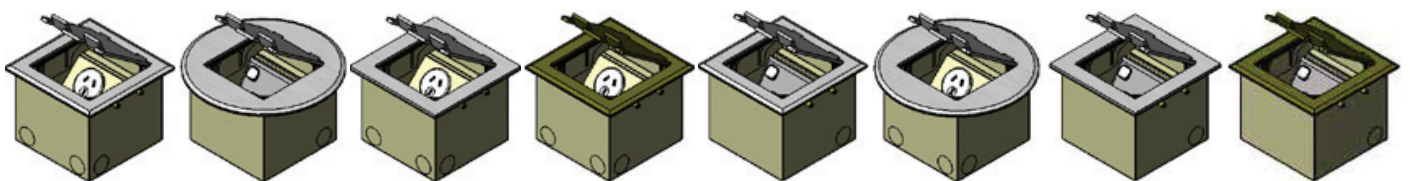
- Floor box body manufactured from powder coated zinc annealed steel
- 20mm knockouts provided for easy conduit entry
- Frame and lid manufactured from stainless steel or brass
- Auto switched power outlets supplied
- Provision for data
- Floor box carcass dimensions: W 145 x L 145 x D 105mm (D 111mm including lid)



<p>FB145 Series Stainless Steel Flush Lid Assembly</p> <p>PART NUMBER : FB145SSFLA</p>	<p>FB145 Series Stainless Steel Round Flush Lid Assembly</p> <p>PART NUMBER : FB145SSFLA</p>
<p>FB145 Series Stainless Steel Square Edge Flush Lid Assembly</p> <p>PART NUMBER : FB145SSFLA-SE</p>	<p>FB145 Series Brass Flush Lid Assembly</p> <p>PART NUMBER : FB145BRFLA</p>

Suggested Specification

Contractor shall supply Cableaway FB145 Series floor outlet box. The box will be complete with (eg: 2 x) power and (eg: 3 x) data with a (eg: Stainless Steel Flush) lid section. Part Number (eg: FB145SSF2P3D).



Description

	<u>Part Number</u>
2 x Auto switched outlets and provision for 3 x data, stainless steel flush lid	FB145SSF2P3D
1 x Standard double GPO, stainless steel flush lid	FB145SSF1STDO
2 x Auto switched outlets and provision for 3 x data, stainless steel round flush lid	FB145CSSF2P3D
1 x Standard double GPO, stainless steel round flush lid	FB145CSSF1STDO
2 x Auto switched outlets and provision for 3 x data, stainless steel flush square edge Lid	FB145SSF2P3D-SE
1 x Standard double GPO, stainless steel flush square edge lid	FB145SSF1STDO-SE
2 x Auto switched outlets and provision for 3 x data, brass flush lid	FB145BRF2P3D
1 x Standard double GPO, brass flush lid	FB145BRF1STDO



PUSSF1P POP UP OUTLET BOX & PUALF2P FLOOR OUTLET BOX

Manage Cables Better

Cableaway's floor outlet boxes are an ideal way to supply power to open floors of a commercial office building or even within your home.

PUSSF1P

The PUSSF1P floor outlet box comes complete with a Stainless Steel flush lid, 1 x auto switched socket.



PUALF2P

The PUALF2P floor outlet box comes complete with a brushed aluminium flush lid, 2 x auto switched sockets (Also available in a data only configuration).



Specifications

- Floor box body manufactured from powder coated zinc annealed steel
- 20mm and 25mm knockouts provided for easy conduit entry
- Frame and lid manufactured from brushed aluminium
- 2 x auto switched power outlets supplied
- IP44 rated
- PUSSF1P Floor box carcass dimensions: W 99 x L 99 x D 54mm (D 72mm including lid)
- PUSSF1P Floor box lid dimension W 124 x L 124mm
- PUALF2P Floor box carcass dimensions: W 132 x L 132 x D 64mm (D 72mm including lid)
- PUALF2P Floor box lid dimension W 145 x L 145mm

IN DESK BOXES

.cable.
away

Manage Cables Better





AXXESS SERIES IN-DESK BOX

Manage Cables Better



The AXXESS series in-desk box has been designed around the customer's needs and requirements to provide a stylish, contemporary and practical power, data and AV solution.

The AXXESS is manufactured using environmentally safe and recyclable components and is the ideal solution to provide Power, Data and AV to your desktop, workstation or boardroom table. The unique design of the AXXESS also allows cables to be stored within the unit when not in use.

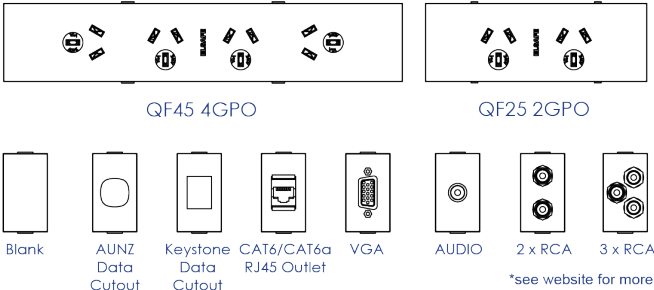
The AXXESS comes in two standard sizes and the undercarriage can be banked together to allow almost any length AXXESS that is required. The unique locking arm system ensures that the AXXESS is securely fitted to the table/desktop by operating screws at each end of the AXXESS and once fixed, the locking screws are covered with a discreet screw cap cover.

A unique feature of the AXXESS lid is the cable guides which are attached to either end and guide the cables towards the smaller cable flap thereby avoiding damage to the cables.

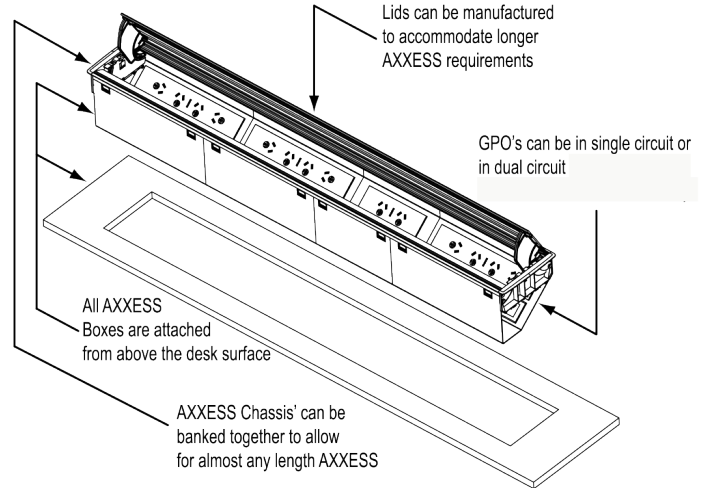
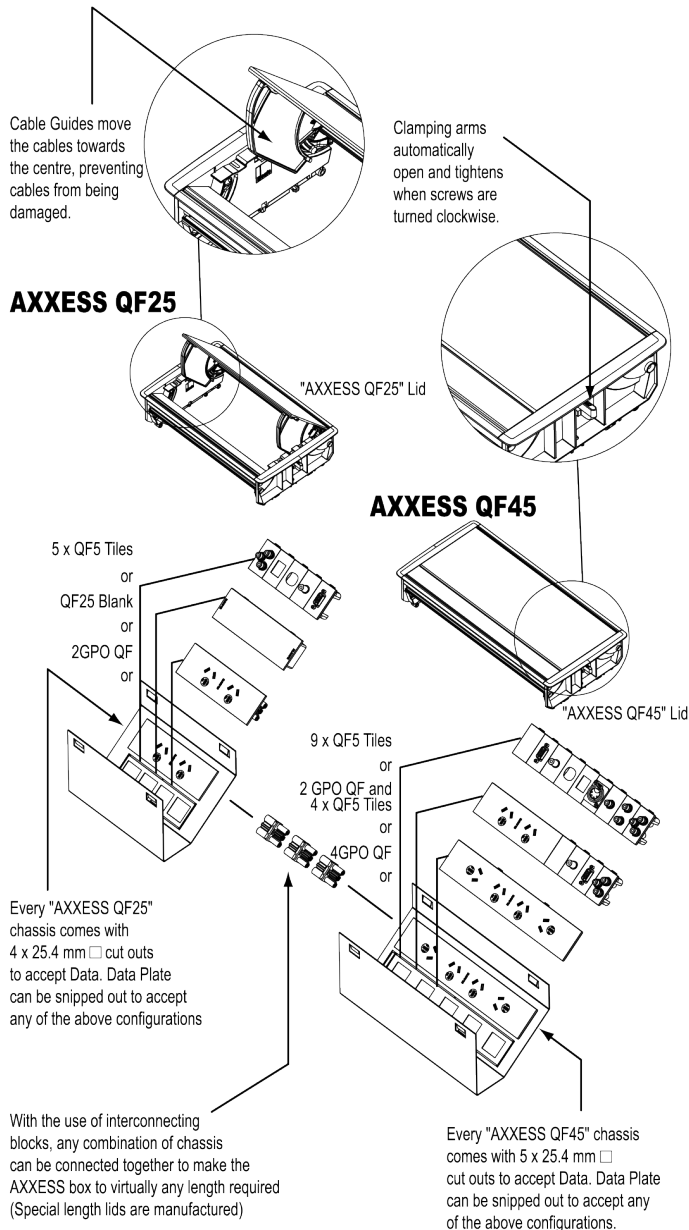


Manage Cables Better

Common Components

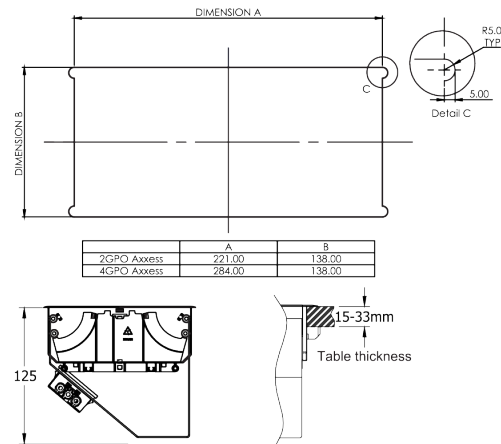


QF5 Tiles to Provide Data & AV Solutions



Features

- Configuration:**
 Power only / Data only / AV only / Combined (power, data and/or AV) AXCESS Chassis units can be banked together (as per image above) allowing for almost any
- AXCESS Lids:**
 Come in two standard sizes. Longer lids are manufactured accordingly when a longer AXCESS chassis is required. AXCESS lids can also be purchased on their own without the chassis as a through desk solution.
- Testing:**
 100% testing-continuity, polarity, insulation & earth
- Insulation:**
 Reinforced insulation
- Soft Wiring (power):**
 Power via Wieland GST connector allows starter cables to be changed to suit requirements, especially useful during moves and changes (CHURN)
- Cutout dimensions**





GENIE SERIES IN-DESK BOX

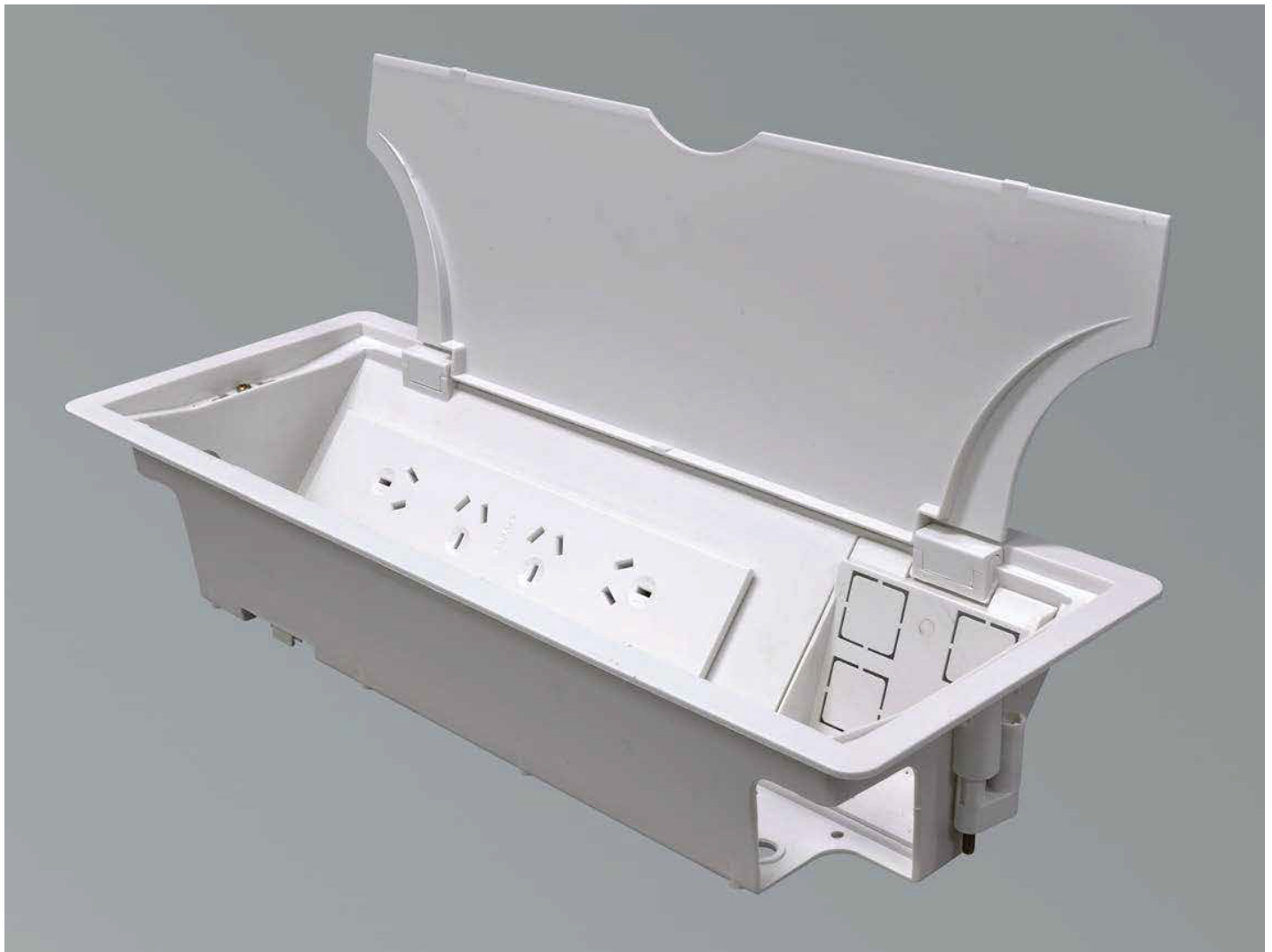
Manage Cables Better

GENIE provides an excellent solution for in-desk power and data requirements. The one size flush mounted GENIE can accommodate up to four power sockets along with several different combinations of post installation.

GENIE can be fitted from the top by only one person negating the need to work under the desk. The hinged lid has two scalloped recesses, one at each end, to allow easy and free access for power and data cables.

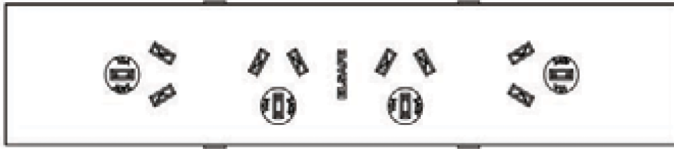
GENIE is fitted using our QIKFIT, QD or PB series which can incorporate all our standard module components.

Standard colour is white, other colours are available subject to minimum order quantities.

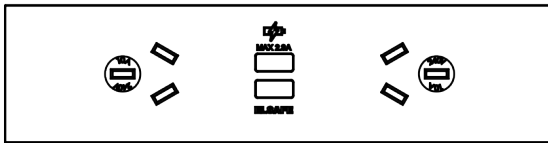


Manage Cables Better

Common Modular Components



QF45 4GPO

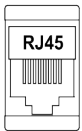


QF35 2GPO 1TUF

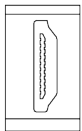
Data/AV Bezel



bezel for snipouts



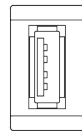
cat5e/cat6



HDMI

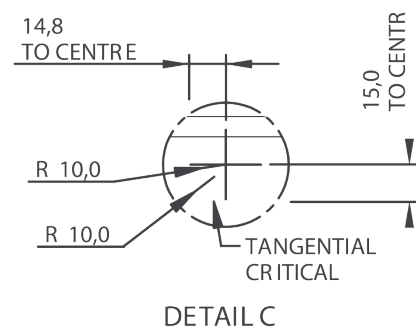
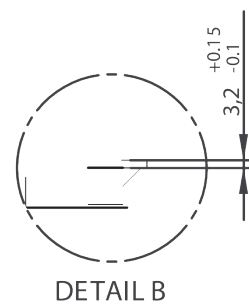
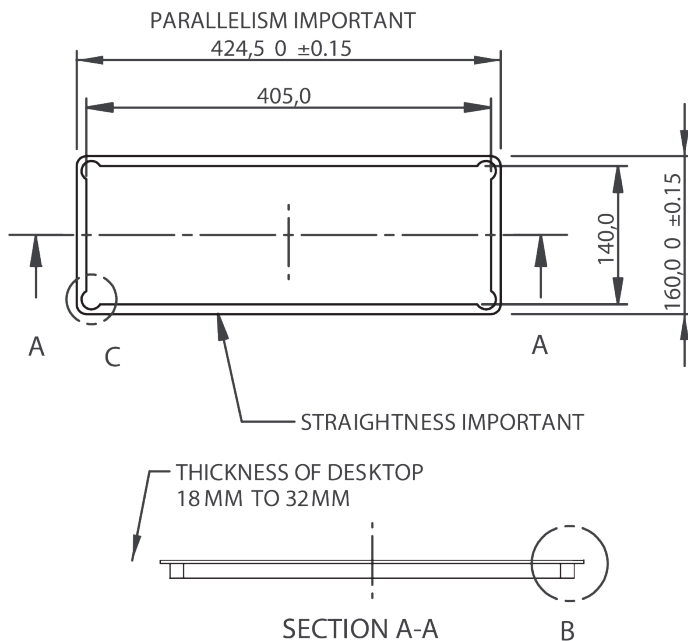


stereo



USB

Cut-out Instructions



Features

- Configuration:**
 Power only / Data only / Combined (Power, TUF Fast USB Charging & Data/AV)
- Insulation:**
 Reinforced insulation
- Testing:**
 100% testing - continuity, polarity, insulation & earth
- Soft Wiring (power)**
 Power wired to Wieland GST connector allows starter cables to be changed to suit requirements, especially useful during moves and changes (CHURN)
- Soft Wired Data**
 As well as soft-wired power, GENIE can accommodate soft wired data. Using our in-line couplers, data cables can be changed "on-site" to accommodate changes in length often associated with churn. Simple on-site installation of pre-terminated data where branded connectivity required.

FDHD SERIES IN FLOOR DUCT

.cable.
away

Manage Cables Better





FDHD SERIES HEAVY DUTY TRENCH DUCT

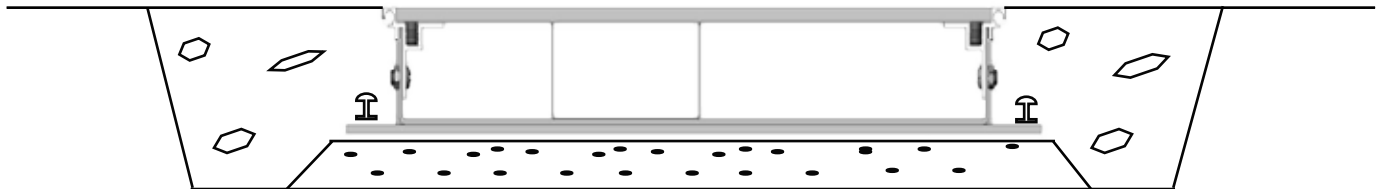
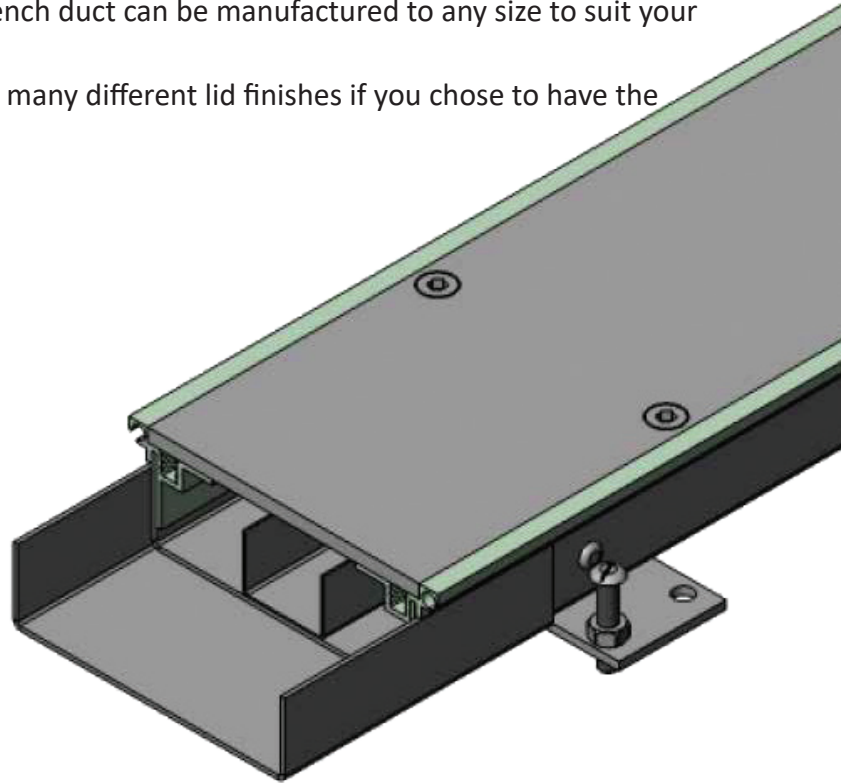
Manage Cables Better

Trench Duct / In Floor Duct is a cost effective way of distributing power, data and audio visual cables under your selected floor finish. Cableaway's range of trench duct can be manufactured to any size to suit your project.

Cableaway's trench duct can also be supplied with many different lid finishes if you chose to have the trench duct lid section exposed.

Features

- Flush finish with floor level
- Easy installation
- 5mm thick lid section
- Optional lid finishes
- Suitable for CAT 5,6 and 6A data cables
- Simple to wire
- Welded construction
- levelling feet and hardware
- Factory made fitting to suit
- Modular design



Available Lid Finishes

Standard Lid Finishes

- Mild Steel
- Galvanised steel
- Aluminium Flat Lid
- Aluminium Checker Plate

Non Standard Lid Finishes

- 304 Stainless Steel (flat)
- 316 Stainless steel (flat)
- 304 Stainless Steel Checker plate
- 316 Stainless Steel Checker plate
- Brass

Suggested Specifications

Contract shall supply Cableaway FD series trench duct (to the nominated size, division and lid type). The trench duct will be of Galvanised steel construction complete with divisional barrier to separate power and data. Trench duct will be installed to the manufactures specification.

Standard Sizes

- 38mm x 100mm x 2.4m
- 38mm x 150mm x 2.4m
- 50mm x 150mm x 2.4m
- 50mm x 225mm x 2.4m
- 40mm x 300mm x 2.4m

Cableaway Trench duct can be custom made to suit your project.

SDPVC SERIES SKIRTING DUCT

.cable.
away



Manage Cables Better



SDPVC 50105 SERIES SKIRTING DUCT

Manage Cables Better

Cableaway's PVC skirting duct range is by far the easiest way for housing and distribution of power and data cabling, with its PVC construction this duct is perfect for schools and areas that a traditional metallic skirting duct can not be used.

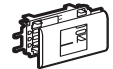






Cableaway's 50mm x 105mm PVC skirting duct is best used for the reticulation and mounting of

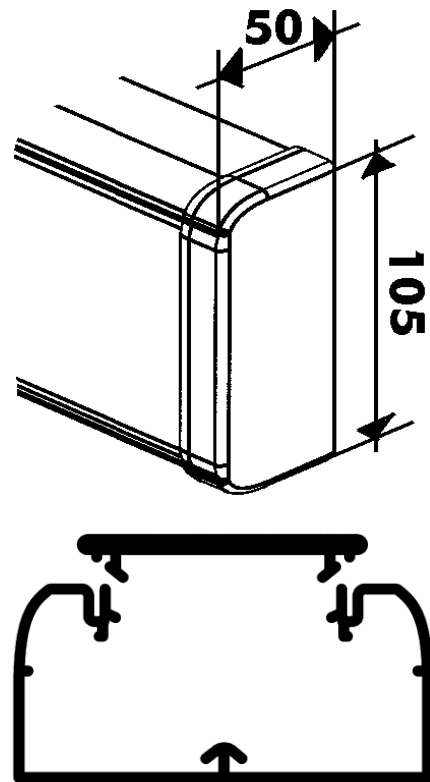
power, Cat 5, Cat 6 and Cat 6A data cabling.

Cableaway's PVC skirting duct is also able to handle Audio and Visual cables using Cableaway's 45 series multimedia outlets making it easier than ever to adapt microphone jacks, HDMI, VGA, component and much more.

Features

- PVC body
- Moulded blank ends
- Moulded Internal and external corners
- Centre mounting of outlets
- Suitable for CAT 5,6 and 6A data cables
- GPO mounting kit
- Data mounting kit
- Available with a clip in lid section
- Easy installation

Fully assembled Mounting of wiring accessories		
		Cover Width 85mm
		Cat No.
45 SERIES SUPPORTS		
2 modules		10992
4 modules		10994
6 modules		10996
8 modules		10998
(1) Fitted on trunking (2) Fitted beside trunking		
UNIVERSAL SUPPORTS		
		Cover Width 85mm
		10916
(1) Fitted on trunking (2) Fitted outside trunking		
BACK BOX		
		Cover Width 85mm
To mount on universal support		10917
To mount on 45 series supports 2 modules		10927



Suggested Specification:

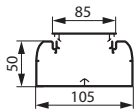
Contractor shall supply Cableaway SDPVC series skirting duct (nominate to include barrier). The skirting duct will be of PVC construction complete with (or without) a divisional barrier to separate power and data. Purpose made mounting kits for power and data shall be used. Skirting duct will be installed to the manufacturer's specification.

Manage Cables Better

50 x 105 SDPVC Skirting Duct



Pack	Cat.No.	Trunking
		Suitable for a wide range of requirements and applications: - Distribution: large wiring capacity and wide access to the wiring space - Installation: can be used with ranges: Mosaic and Arteor
		white Bodies Supplied without cover Length 2 m 50 x 105 mm
20	104 22 ⁽¹⁾	
24	105 22 ⁽¹⁾	Flexible cover Fits onto the whole trunking including in internal or external angles Full cover width 85 mm Length 2 m
24	105 82	Partition Separation partition for 50 mm deep trunking Length 2 m
20	106 91	Joints Body joint, for aligning bases during installation
20	106 92	Body joint, attached with adhesive (fit at the end of installation)
10	108 02	Cover joint



Pack	Cat.No.	Junctions
		Flat junctions
5	107 35	For 50 x 105 mm trunkings To tap-off to a 80 mm wide trunking
5	107 36	For 50 x 105 mm trunkings To tap-off to a 105 mm wide trunking equipped with a 85 mm cover
		Angles and end cap
		Internal and external bends Includes the 2 components for the top and bottom of the trunking on which the flexible cover is fitted
10	106 02	Changeable internal bend, from 85° to 95° for 50 x 105 mm trunking
10	106 22	Changeable external bend, from 60° to 120° for 50 x 105 mm trunking
		Flat angle
10	107 85	90° flat angle for 50 x 105 mm trunking
		End cap
20	107 02	For 50 x 105 mm trunking

SD SERIES ALUMINIUM SKIRTING DUCT



**.cable.
away**

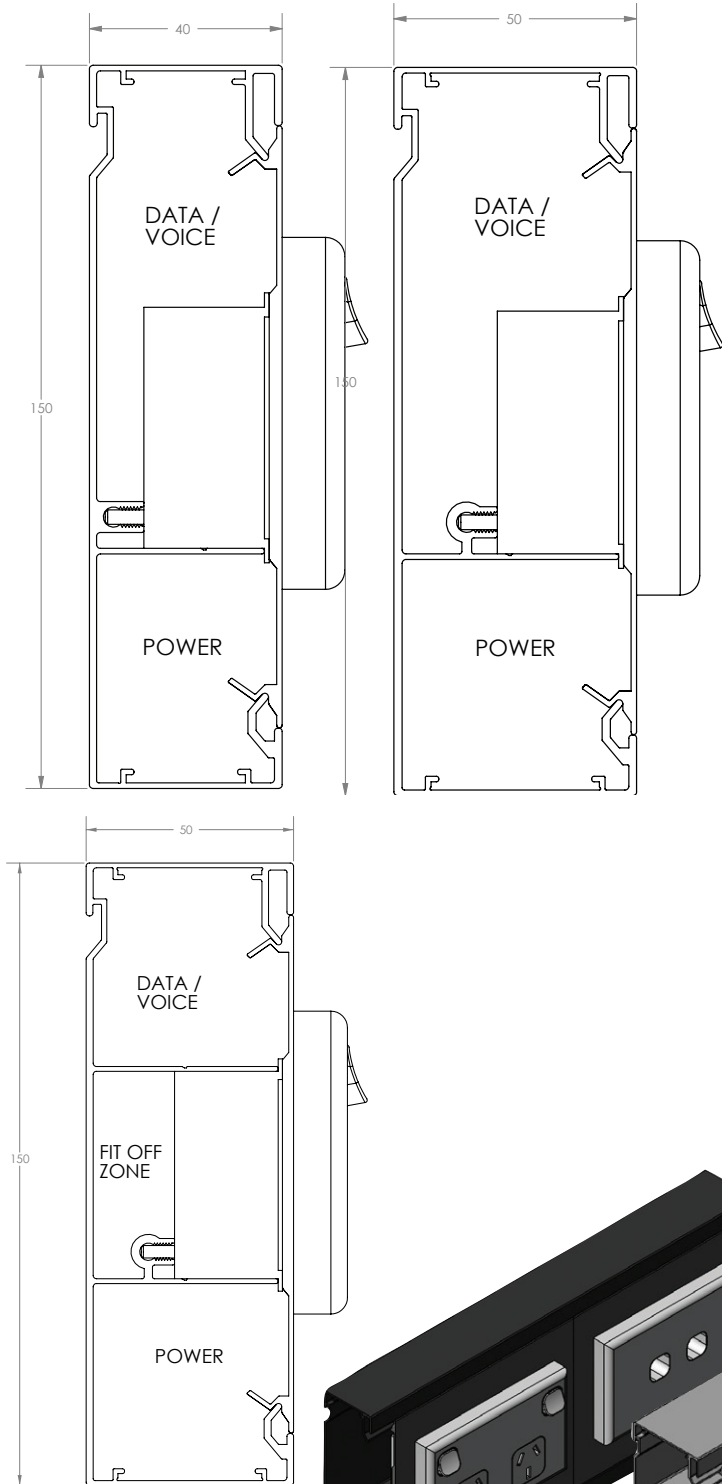
Manage Cables Better





SD401502DIV, SD501502DIV & SD501503DIV SERIES SKIRTING DUCT

Manage Cables Better



Cableaway's skirting duct range is by far the easiest way for housing and distribution of power and data cabling, from large commercial offices to the small home office.

Cableaway's 40/50mm x 150mm x 2/3 division skirting duct is perfect for the reticulation and mounting of power, Cat 5, Cat 6 and Cat 6A data cabling.

Cableaway's skirting duct is also able to handle Audio and Visual cables using Cableaway's 45 series multimedia outlets, making it easier than ever to adapt microphone jacks, HDMI, VGA, component and much more.

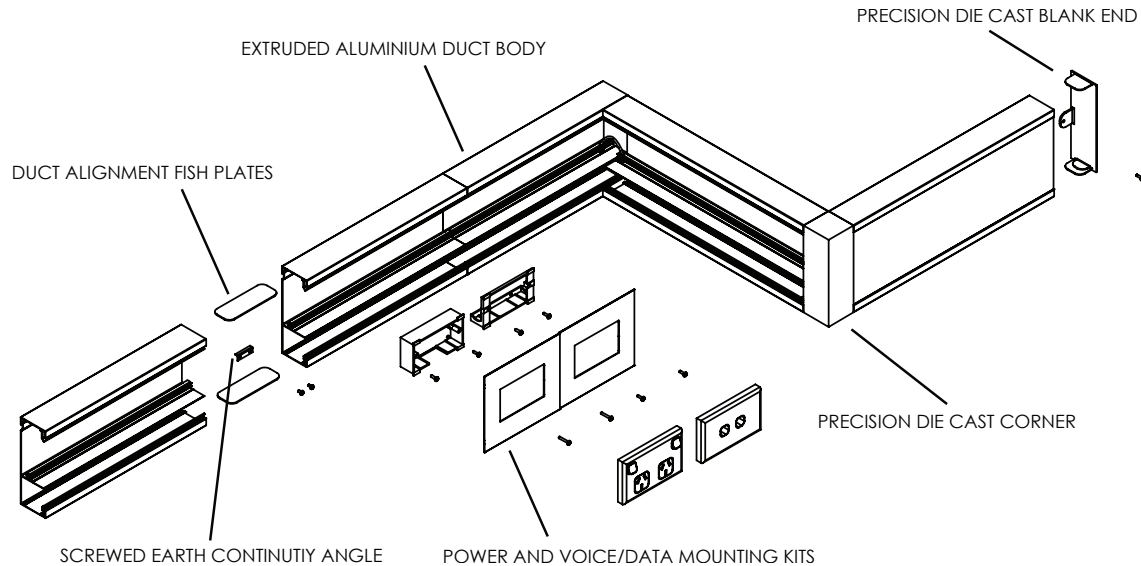
Features

- Extruded aluminium body
- Die cast blank ends
- Die cast corners
- Centre mounting of outlets
- Suitable for CAT 5, 6 and 6A data cables
- GPO mounting kit
- Data mounting kit
- Available with drop in or clip in lid section
- Continuous earthing system
- Easy installation
- Hanging recess (for installation above floor level)



Manage Cables Better

SD401502DIV, SD501502DIV & SD501503DIV SERIES SKIRTING DUCT



Suggested Specification

Contractor shall supply Cableaway SD series skirting duct (to the nominated size, division and lid type). The skirting duct will be of aluminium construction complete with divisional barrier to separate power and data. Purpose made mounting kits for power and data should be used. Skirting duct will be installed to the manufacturer’s specification using Cableaway’s continuous earthing system.

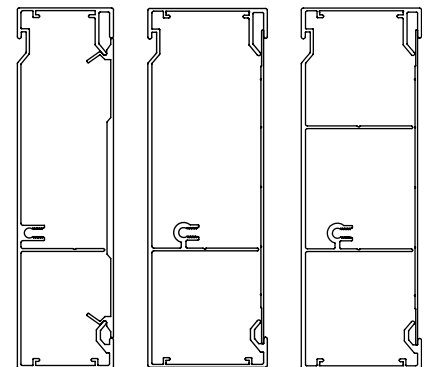
Description

- SD401502 Skirting duct body (2.4m length)
- SD501502 Skirting duct body (2.4m length)
- SD501503 Skirting duct body (2.4m length)
- Drop in lid section (1.2m length)
- Clip in lid section (1.2m length)
- SD401502 Corner kit
- SD501502/3 Corner kit
- SD401502 Blank end
- SD501502/3 Blank end
- Front cover GPO and data kit (drop in lid)
- Front cover GPO and data kit (clip in lid)
- GPO shroud kit
- Data mounting kit
- Duct joiner kit (Earth continuance - plate & alignment plates)
- Internal butt join earthing kit

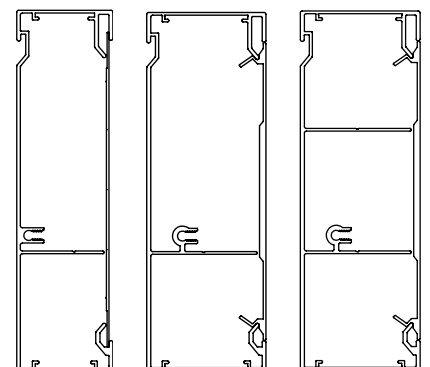
Part Number

- SD40150(S)
- SD50150(S)
- SDT50150(S)
- SDDL150(S)
- SDCL150(S)
- SDCNR40150(S)
- SDCNR50150(S)
- SDBE40150(S)
- SDBE50150(S)
- SDDFC150(S)
- SDCFC150(S)
- SDPSK
- SDDMK
- SDJK50
- SDIEK

DROP IN LID



CLIP IN LID



Standard Colours: (S) Suffix:

- Anodised Natural A
- Black B
- Oyster Grey O
- Pearl White W

SP SERIES SERVICE COLUMN



Manage Cables Better



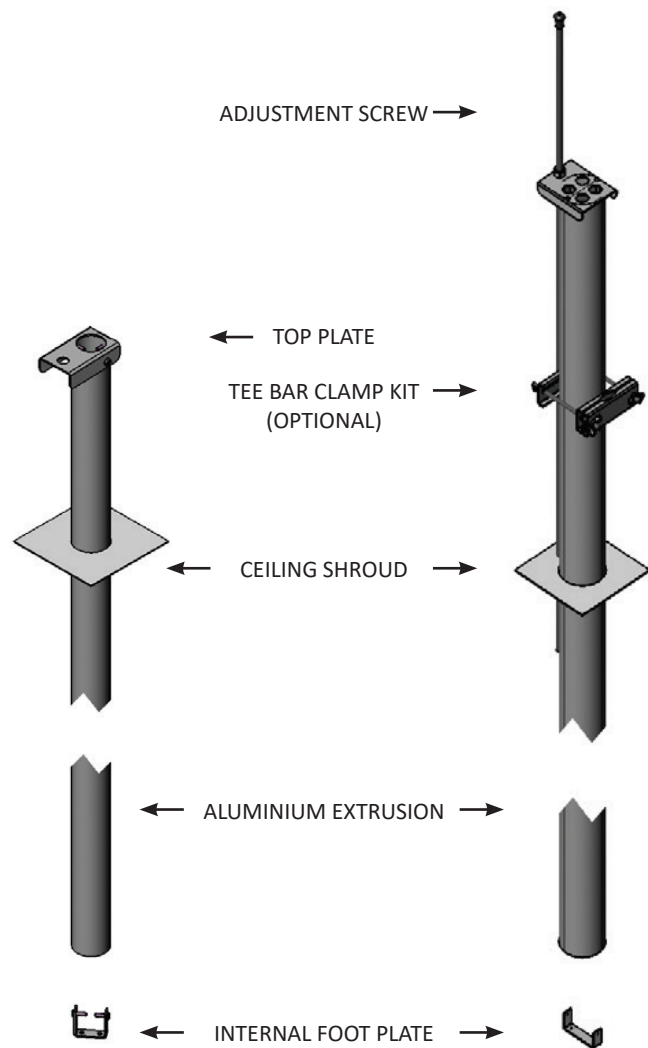
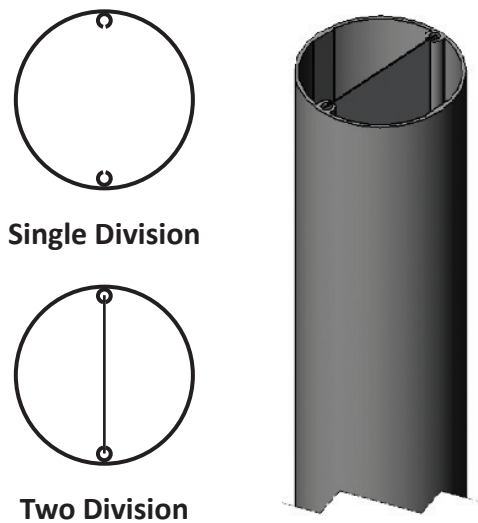
Manage Cables Better

Cableaway's service poles are manufactured from strong and lightweight extruded aluminium. They provide an easy, attractive and economical way to effectively distribute power and telecommunications to work areas from open ceiling spaces.

Typical applications would be, office workstations, classrooms, retail outlets or factory floors. Cableaway's service poles are easily installed and come complete with installation hardware (optional T bar kit).

Features

- Extruded aluminium
- Suitable for CAT5,6 and 6A data cables
- Simple installation
- Complete with internal foot plate as standard
- Ceiling shroud
- 10mm jacking rod on 50mm & 70mm columns
- Optional tee bar mounting kit
- Available in 3m, 4m & 6m lengths
- Powder coated to any colour



Suggested Specification:

Contractor shall use Cableaway SP series service column to the nominated size.

The construction of the service column shall be an aluminium extrusion. Colour of the service column to be nominated by Architect.

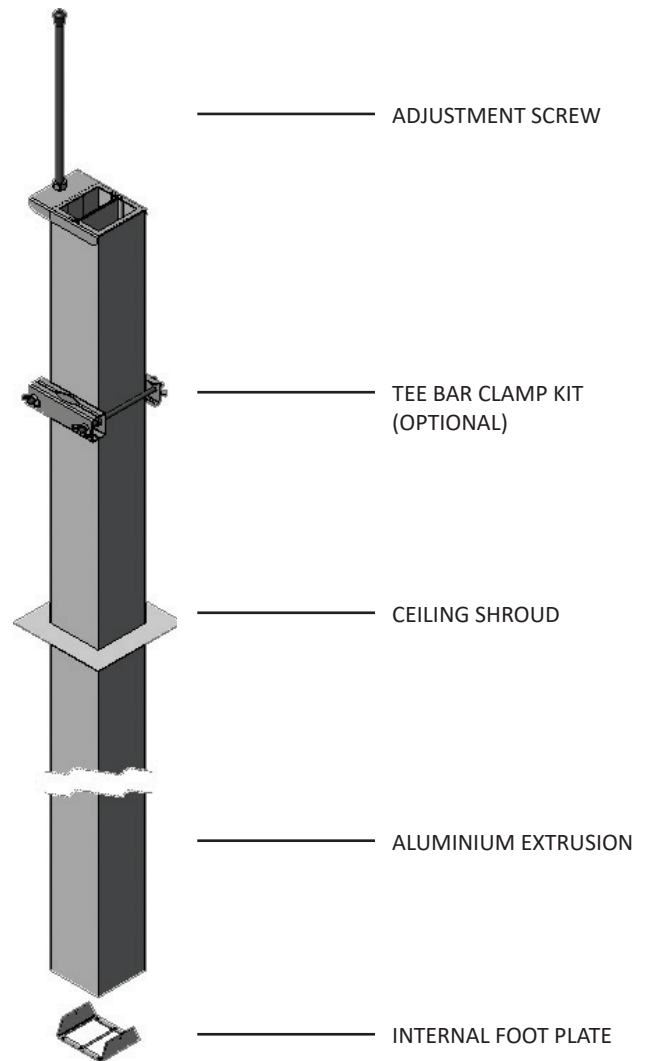
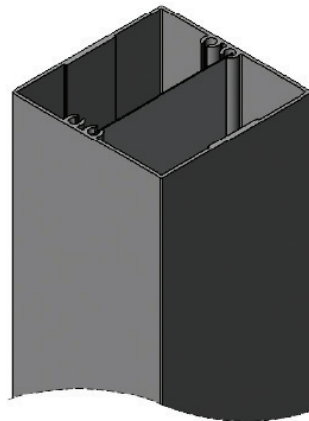
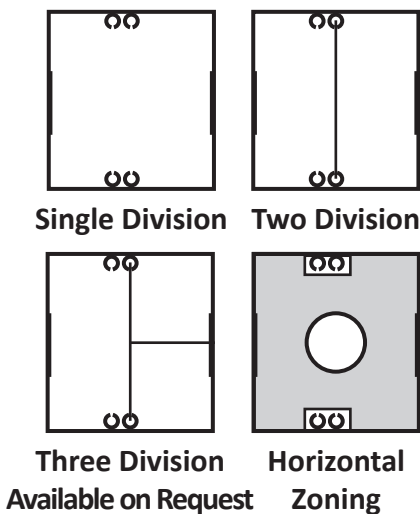
Special colours available on request.

Manage Cables Better

Cableaway can also customise your service pole by machining outlet cut outs to your height requirements. This will increase the speed of your installation as no drilling or cutting is required on site.

Features

- Available in several sizes (contact us for details)
- Extruded aluminium
- Suitable for CAT5, 6 and 6A data cables
- Simple installation
- Outlets able to be installed on all four sides
- Complete with internal foot plate as standard
- Ceiling shroud
- 10mm jacking rod
- Optional tee bar mounting kit.
- Standard colours Natural Anodised and Pearl White
- Powder coated to any colour
- Outlet cut outs are available on request



Suggested Specification:

Contractor shall use Cableaway SP series service column to the nominated size. The construction of the service column shall be an aluminium extrusion complete with a divisional barrier dividing power and data. Colour of the service column to be nominated by Architect. Provision for mounting of GPO and Data outlets to be nominated by electrical consultant and cut outs to be completed by Cableaway.

Special colours and longer poles available on request.

MAINLINE POWER RAIL



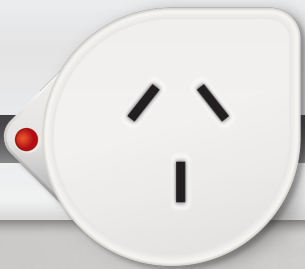
Manage Cables Better



MAINLINE POWER RAIL

Manage Cables Better

Adjustable, Scalable Power When & Where You Want It



Connect and power all of your gadgets and appliances whenever you want, wherever you want. This innovative power track allows anyone to simply and safely add, remove or reposition power and data sockets wherever and whenever they are needed along its length. The Mainline system can be seamlessly installed into walls, skirting boards or trunking systems in a fraction of the time it takes to install conventional fixed sockets.

FEATURES

- Suitable for new constructions, renovations & refurbishment projects
- Can be installed as part of a ring, radial or spur
- Restricted access to copper busbar from small objects & fingers
- Not limited by number of sockets
- Up to 32 amp capacity
- Moveable data networking socket
- Range of finishing options available
- Terminal Block connects existing live, neutral & earth wires to the track itself
- 2 metre lengths can be cut to fit space



Mainline Moveable Power & Data

1

Insert socket into the track

2

Turn socket 90° to safely access power

3

Move or add more sockets as required



MAINLINE POWER RAIL

Manage Cables Better



ML20B
Power Rail



ML20W
Power Rail



MLPIB

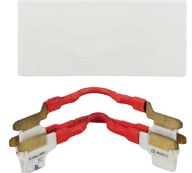


MLPIW

Premium Adaptor



MLFCJB



MLFCJW

Flexible Joiner



MELSELW
MELSERW



MLTSELB
MLTSERB

End caps are used to seal the live terminal and are a must to prevent electric shock. Available in Black and White.



MLQCSJB



MLQCSJW

Safe and easy way to join lengths of Mainline Power Rail. Available in Black and White.



MLTSLB
LLTSRB



MLTSLW
MLTSRW

For connection of Mains power cable to your Mainline power rail. Available in Black and White, Left and Right Feed.

Mainline power rail must be installed within a housing



FMHO1-A-EX210
Flush mounted Aluminium housing



MLEX21AN (Natural Anodised)
Surface mounted Aluminium housing



SMHO2-W-EX210 White only
Surface mounted PVC housing



SMHO2-W-ENC White only
Surface Mounted PVC end cap



SMHO2-W-SJT White only
Surface Mounted PVC housing joiner



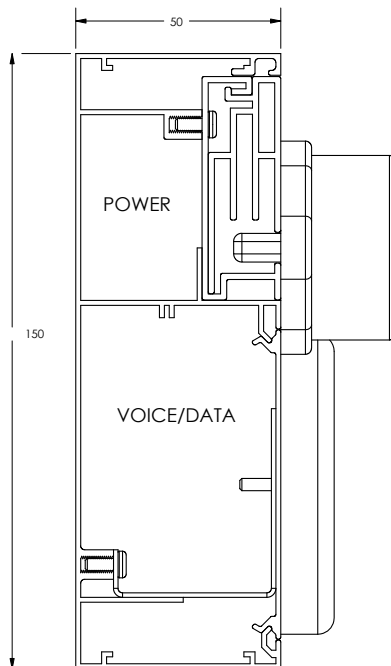
MLUSBB MLUSBW
USB adaptor. Available in Black and White.



MSD501502DIV & MSD201002DIV SERIES SKIRTING DUCT

Manage Cables Better

Cableaway's skirting duct range is by far the easiest way for housing and distribution of power and data cabling, from large commercial offices to the small home office.



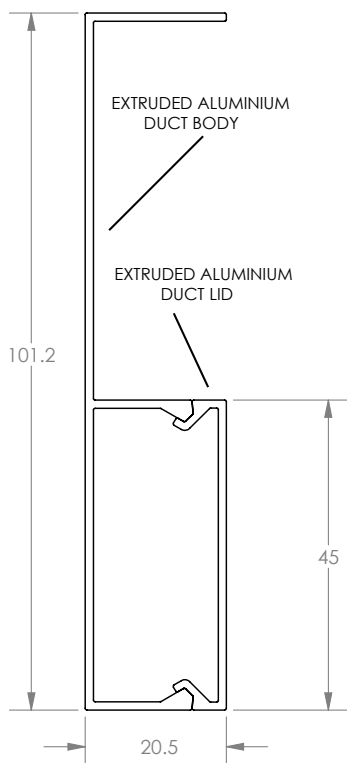
MSD501502DIV

Cableaway's MSD 50mm x 150mm x 2 division & 20mm x 100mm x 2 division skirting duct helps you to truly deliver a cost effective and extremely flexible power and data solution, with a clever adaption of the Mainline power rail to this already flexible skirting duct. Power is more adaptable than ever before.

Cableaway's skirting duct is also able to accommodate Audio and Visual cables using Cableaway's 45 series multimedia outlets, making it easier than ever to adapt microphone jacks, HDMI, VGA, component and much more.

Features

- Single housing for power and data
- Houses Mainline power rail
- Mounting of standard outlets
- Mount multi media outlets

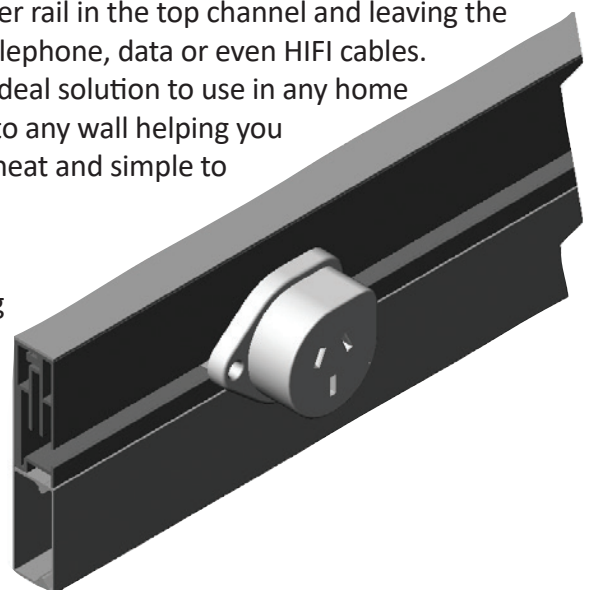


MSD201002DIV

Cableaway's MSD 20mm x 100mm x 2 division skirting duct helps you to truly deliver a cost effective and extremely flexible power solution. The MSD20100 duct houses the mainline power rail in the top channel and leaving the bottom channel to run your telephone, data or even HIFI cables. Cableaway's MSD20100 is an ideal solution to use in any home or office as it mounts directly to any wall helping you deliver power and cables in a neat and simple to install solution.

Features

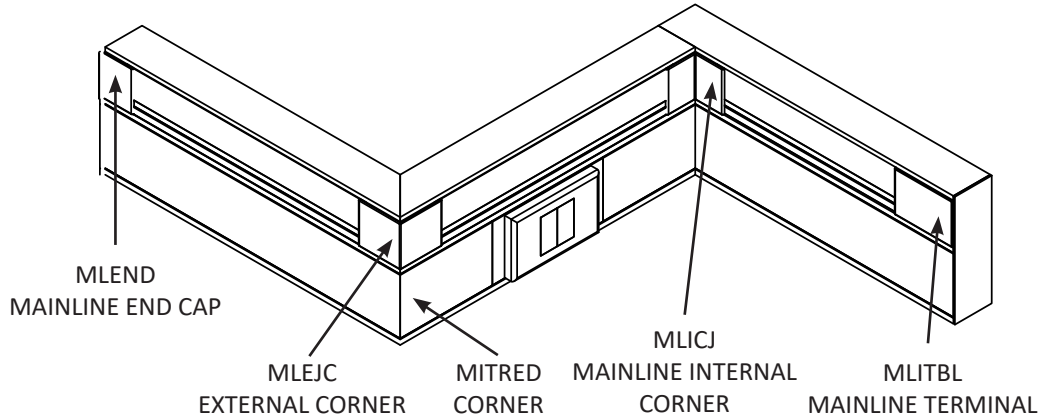
- Replaces traditional skirting board
- Firm snap on lower cover eliminates accidental removal
- No need to chase in cables as duct mounts directly to any surface



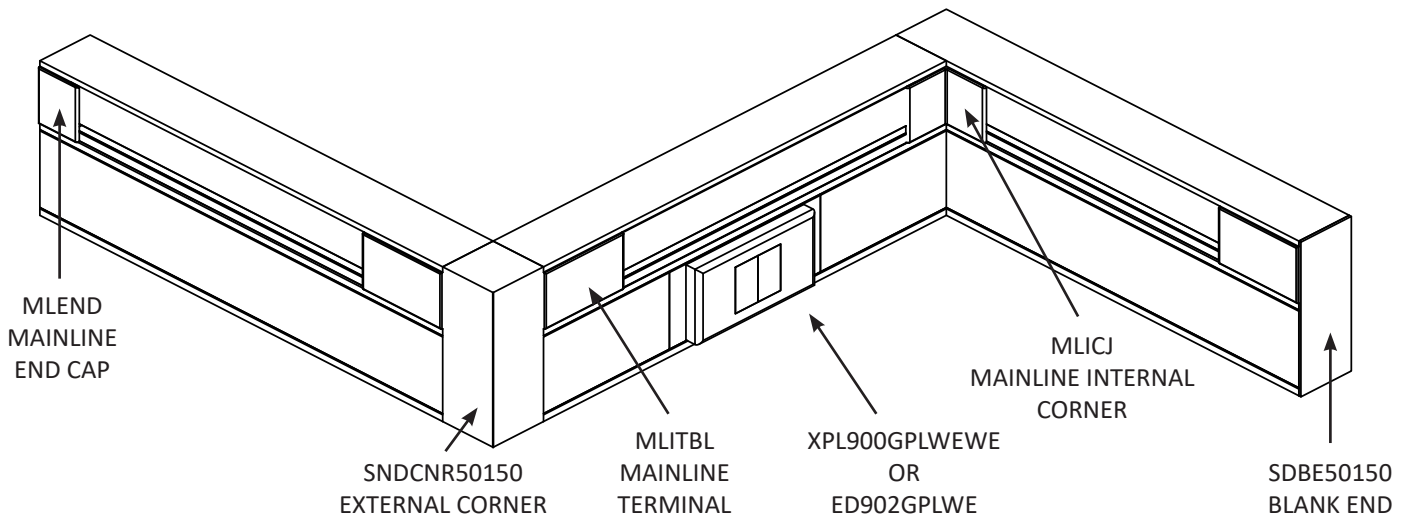
MSD501502DIV SERIES SKIRTING DUCT

Manage Cables Better

Option 1 Site Mitred Corners



Option 2 Manufactured Corners



Suggested Specification

The contractor shall allow to supply and install Cableaway Pty Ltd MSD50150 (50 x 150mm x 2.4m) 2 channel skirting duct or as nominated.

The system will integrate the Mainline Power Rail in the top channel with the bottom channel for mounting of audio visual and data. The manufacture of the product will be extruded aluminium in construction with a division to separate power and data. The system will be continually earthed in accordance with AS3000 wiring rules. Installation should be conducted by an experienced installer as to a Cableaway installation standard.



FIRETHERM PASSIVE FIRE PROTECTION



Passive Fire Protection is a vital part of any design – safeguarding human life and reducing the risk to property in the event of fire.

TransNet is a leading supplier of passive fire systems to the electrical, data and HVAC industries and offer a solutions for all types of service penetrations.

All products supplied by TransNet are comprehensively tested at internationally accredited test laboratories and meet the New Zealand building code requirements.

Contact us for all your passive fire requirements.

EXPANDING MASTIC HP

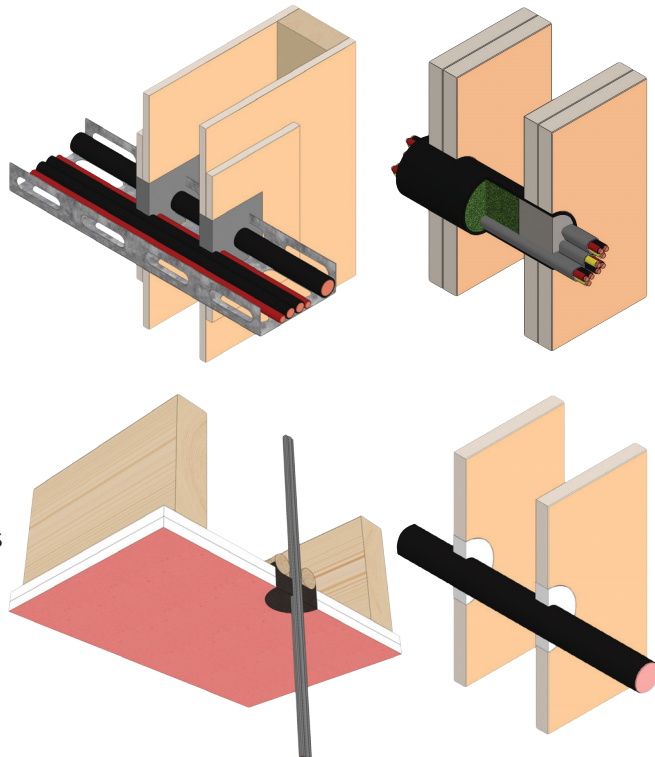
Firetherm Intumastic HP is a low smoke intumescent pressure exerting mastic used to seal fire rated openings where passage of flame is a risk. Manufactured under controlled factory conditions and to precise specifications.

Features

- Size: 310ml tube
- Colour: Grey
- Tack free time: 15-60 minutes depending upon temperature/humidity
- Standard minimum depth: 30mm (depending on system used)
- VOC: 4gm/litre
- Viscosity: 5,000-7,000 poise at 20°C
- Specific Gravity: 1.31 at 20°C

Applications

Intumastic HP may be used to seal openings in fire compartment walls and floors around services such as suitably supported ducts, pipe work and electrical cabling against the passage of fire and can provide up to two hours integrity in block-work and plaster board wall constructions.





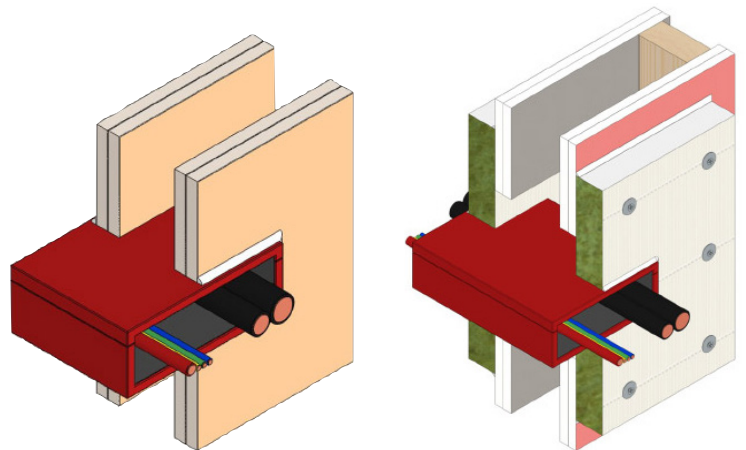
CABLE TRANSIT

All cable transit will arrive preconfigured based upon requirements. The outer shell is steel lined with a high expansion intumescent and is specifically designed to provide a low cost solution for cables, conduits and combustible pipes and closing the cavity.

Applications

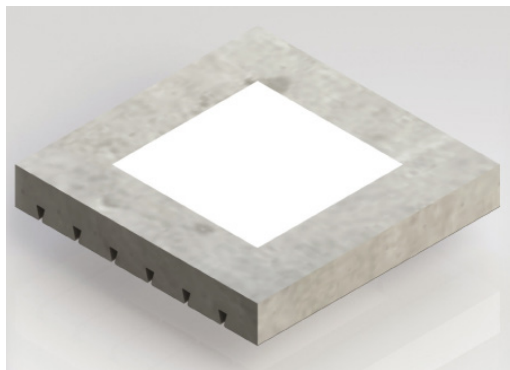
Cable transit provides a tested fire solution to cables, cables within conduits, and combustible pipes passing through internal walls and floors. During a fire, the intumescent within the metal sleeve expands around the heat softened combustible elements, leaving a potential path for fire completely sealed. Once installed within the substrate, the cable transit product allows the removal and installation of services, without the risk of damaging fire seals.

Standard size: 204mm (W) x 60mm (H) x 140mm (D)



A high pressure graphite manipulated intumescent closer for cable penetrations

INTUCOMPOUND



Firetherm Intucompound can provide a load bearing fire and smoke seal around service penetrations in walls and floors.

Intucompound has been shown by test to be capable of supporting unrestrained fire dampers.

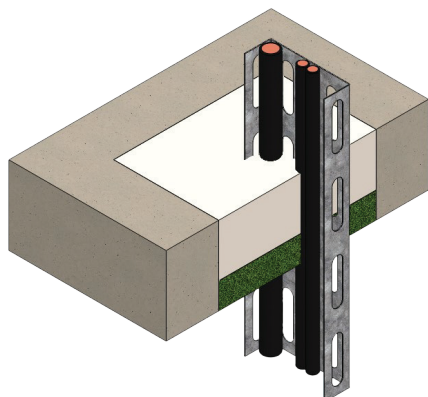
Because of the very fine texture of Intucompound and its capacity to expand during curing, it provides a smoke and fire tight seal around cables and multiple small pipes while creating an excellent bond to surrounding masonry in larger openings.

Features

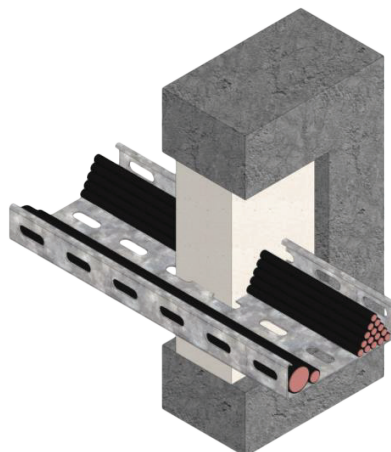
- Exceptionally economical to use

Applications

Use trowellable consistency for wall penetrations and pourable consistency for floor openings, first forming a shutter to restrain the material until set.



Load bearing fire and smoke seal compound





Distributed by
TransNet NZ Ltd



78 Cryers Road
East Tamaki
Auckland
Phone: +64 9 274 3340
Fax: +64 9 274 5490